

ARS

HORIZONTAL, CENTRIFUGAL, MULTI-STAGE PUMPS



APPLICATION

- feeding of boilers, power industry
- chemical and petrochemical industry

WORKING CONDITIONS

- pumping of hot water, condensate and industry liquids
- medium temperature up to + 140 °C

TYPE IDENTIFICATION

- ARS 32-06
- ARS - pump type
- 32 - discharge flange (DN)
- 06 - stage number

MATERIAL SPECIFICATION

Part name	
Suction body	cast iron/ductile cast iron/bronze/steel/SS
Impeller	cast iron/ductile cast iron/bronze/steel/SS
Discharge body	cast iron/ductile cast iron/bronze/steel/SS
Diffuser	cast iron/ductile cast iron/bronze/steel/SS
Shaft	Cr-steel/Cr-Ni steel/Cr-Ni-Mo steel

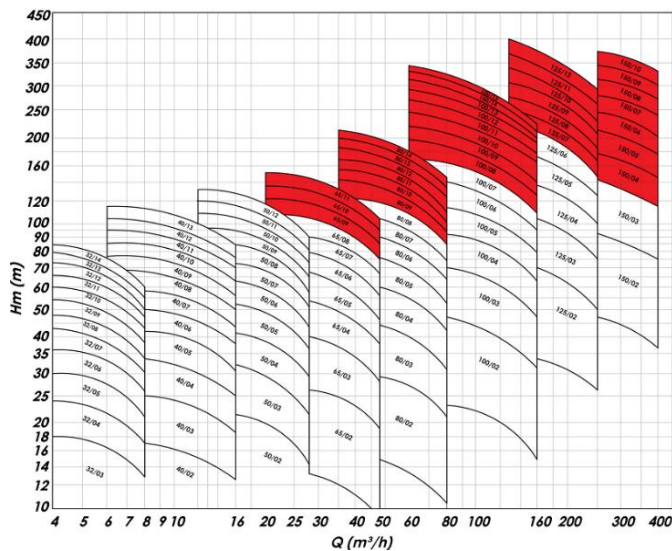


ARS

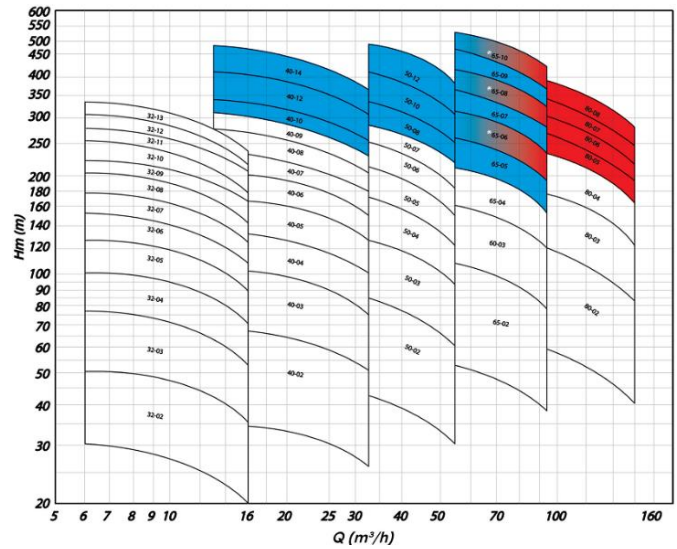
WORKING AREA

Pump size	Shaft speed RPM	Flow Q (m ³ /h)	Head H (m)	Temperature max (°C)
from ARS 32 to ARS 150	1500	from 4 to 400	from 10 to 400	140
from ARS 32 to ARS 80	2900	from 6 to 150	from 20 to 550	140

WORKING AREA 1450 RPM



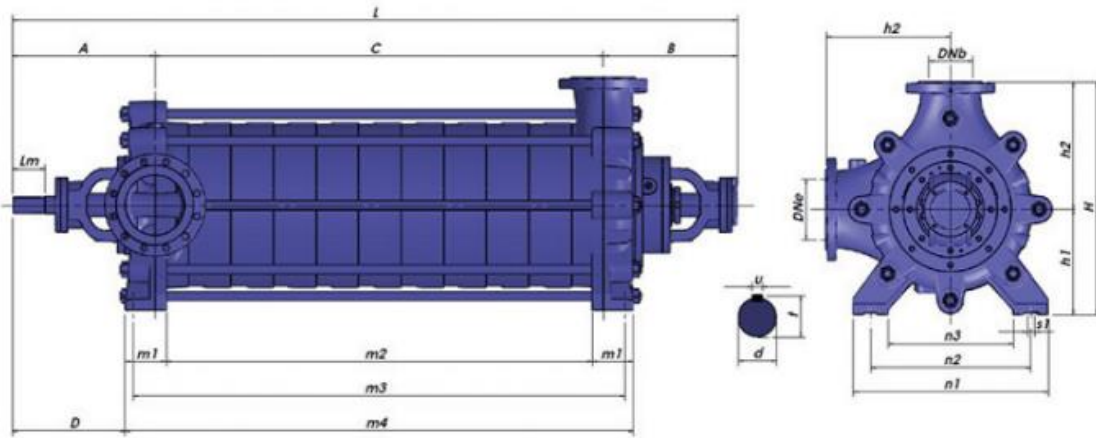
WORKING AREA 2900 RPM



- ARS pump type (standard)
- ARS-DD pump type (opposite impeller)
- ARS-KC pump type (balancing disc)

ARS

BASIC DIMENSIONS

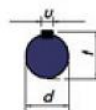
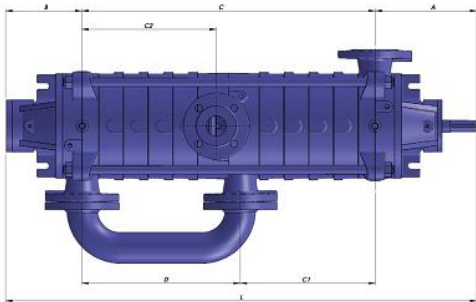
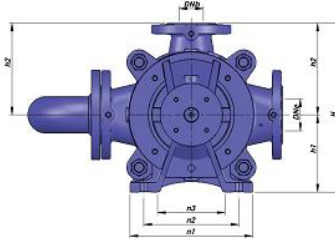
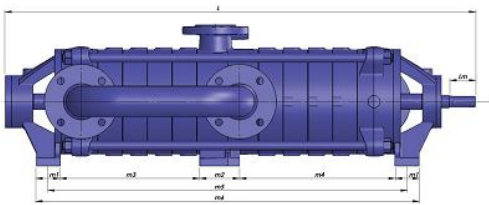


ARS Dimensions

Pump Type	Dimension (mm)																	Shaft Dimensions				Weight (kg)	
	DNe	DNb	A	B	D	L	h1	h2	H	m1	m2	m3	m4	n1	n2	n3	s1	d	Lm	t	u		G
32	40	32	242	161	143	C+403	132	152	284	60	C+94	C+184	C+214	193	135	75	16	24	60	27	8	45	6.5
40	50	40	239	164	130	C+403	160	175	335	62	C+94	C+184	C+218	228	174	120	16	24	60	27	8	58	10
50	65	50	254	175	141	C+429	160	190	350	60	C+109	C+199	C+229	255	198	140	16	28	65	31	8	90	13.5
65	80	65	271	198	150	C+469	180	215	395	60	C+126	C+212	C+246	298	241	180	16	32	65	35	10	93	21
80	100	80	325	251	282	C+576	210	265	475	88	C+48	C+98	C+128	415	340	222	16	38	80	41	10	129	26.5
100	125	100	393	287	314	C+679	250	300	550	100	C+39	C+119	C+161	450	360	267	16	42	110	45	12	178	43
125	150	125	421	305	323	C+725	300	375	675	100	C+24	C+148	C+189	565	455	350	20	48	110	51.5	14	332	76
150	200	150	485	365	384	C+846	350	425	775	140	C+78	C+142	C+202	663	545	426	23	55	110	62	16	582	121

ARS-DD Dimensions

Pump Type	Dimension (mm)																	Shaft Dimensions				Weight (kg)	
	DNe	DNb	A	B	D	L	h1	h2	H	m1	m2	m3	m4	n1	n2	n3	s1	d	Lm	t	u		G
65	80	65	271	269	150	C+540	180	215	395	60	C+197	C+293	C+317	298	241	180	16	32	65	35	10	113	21
80	100	80	325	311	282	C+639	210	265	475	88	C+48	C+98	C+138	415	340	222	16	38	80	41	10	147	26.5
100	125	100	393	371	314	C+763	250	300	550	100	C+39	C+119	C+161	450	360	267	16	42	110	45	12	201	43
125	150	125	421	389	323	C+809	300	375	675	100	C+24	C+148	C+189	565	455	350	20	48	110	51.5	14	364	76
150	200	150	485	455	384	C+936	350	425	775	140	C+76	C+142	C+202	663	545	426	23	55	110	62	16	628	121



ARS-KC Dimensions

Pump Type	Dimension (mm)																	Shaft Dimensions										
	DNe	DNb	A	B	D	d1	d2	L	C1	C2	h1	h2	H	m1	m2	m3	m4	m5	m6	n1	n2	n3	s1	d	Lm	t	u	
40-08								961	244	244						257	287	714	759									
40-10	50	40	239	181		352		1071	299	299	160	175	335	62	90	312	342	824	869		228	174	120	16	24	60	24.5	8
40-12						407	300	1181	354	354						367	397	934	979									
40-14						462		1291	409	409						422	452	1044	1089									
50-08						334		1053	275	274						287	327	790	834									
50-10	65	50	254	190		396	341	1177	337	336	160	190	350	60	100	349	389	914	958	255	198	140	16	28	65	13	8	
50-12						458		1301	399	398						411	451	1038	1082									
65-04						261		926	178	178						216	251	634	682									
65-06	65	65	271	216		332	382	1068	249	249	180	215	395	60	100	287	322	776	824	298	241	180	16	32	66	17	10	
65-08						403		1210	320	320						358	393	918	966									

SEAL DESIGN

shaft sealed to prevent leakage on both suction and discharge ends using a sealing

- types of seals
 - gland packing
 - single mechanical seals
 - double mechanical seals

MOTORS

- foot mounted el. motor drive
- driving force transmitted using flexible coupling